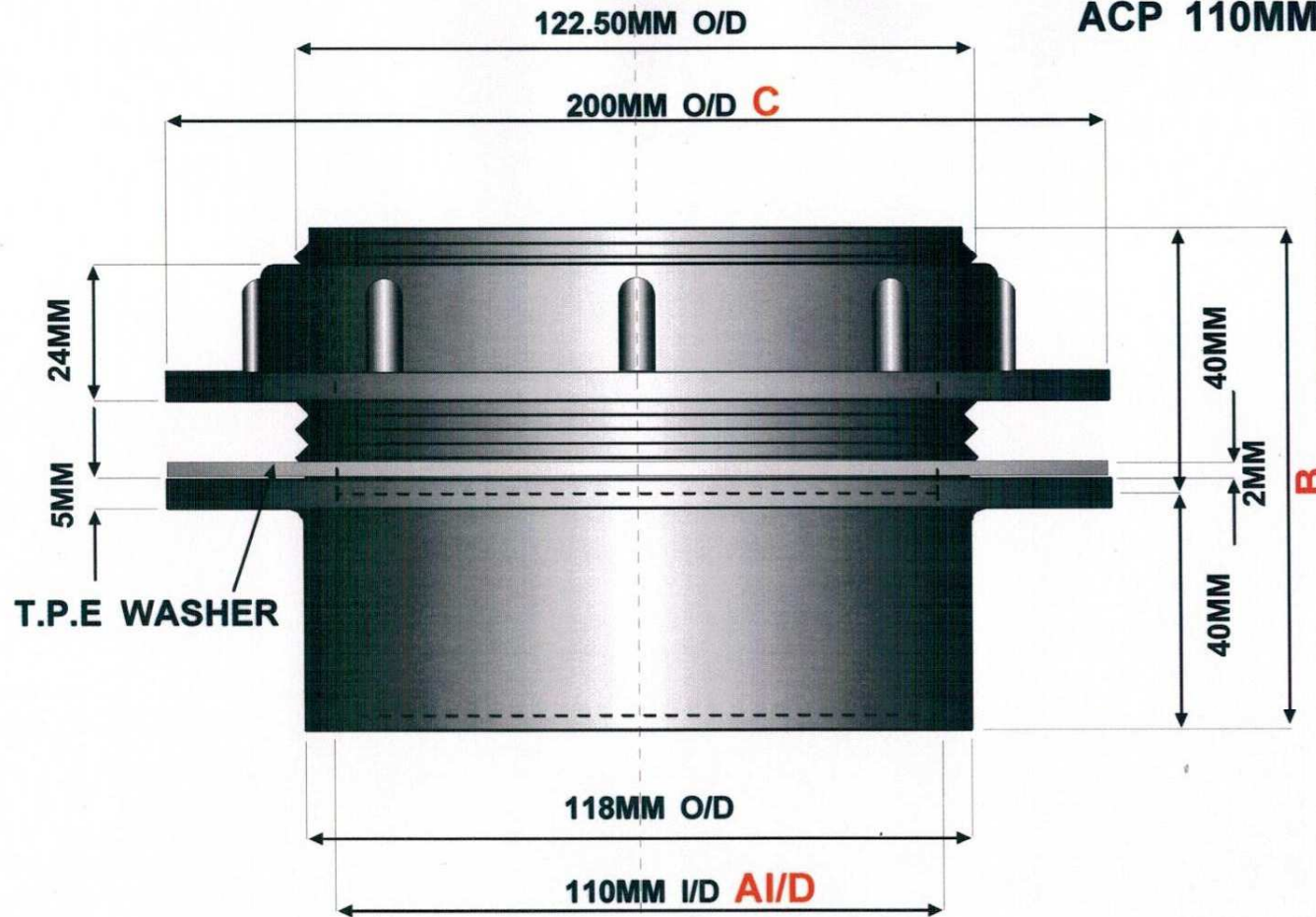


IF IN DOUBT ASK

ACP 110MM THREADED TANK CONNECTOR SPECIFICATION



| PART NO | FLANGE SIZES IN MM |    |     |
|---------|--------------------|----|-----|
|         | A/D                | B  | C   |
| 8036    | 110                | 80 | 200 |

T.P.E WASHER

FLANGES MADE FROM BLACK A.B.S  
ACRYLONTRILE BUTADEINE STYRENE

**Air Care Products Limited.** phone:+44 (0) 1206 564443  
Gosbecks Road Colchester Fax:+44 (0) 1206 564462  
Essex CO2 9JT E-mail: enquiries@aircareproducts.co.uk

This drawing is the property of Air Care Products Ltd. It must not be copied in part or full without the full written consent of Air Care Products Ltd. The product or component shown may be protected in part or in full by patents or registered design or copyright.

TITLE:110 MM THREADED TANK CONNECTOR

MATERIAL: A.B.S

Scale: Drawn by: P.R.G Date: 08/10/2014

Issue No. 1 Third Angle Projection

Date: 08/10 Drg No. ACP0008102014

All dimensions in millimeters